

AudioSense Option

Model: TSMU

IMPORTANT: The AudioSense option is designed to work with the Steamist Total Sense TSG and SMP model steam generators and TSSH Digital Shower Valve. To operate the TSMU, a model TSC-450 or TSC-550 spa control is needed.

NOTE: This option will not work with the TSC-250 control

Important Safety Instructions

CAUTION: These installation/operating instructions are for use by qualified personnel only. To reduce the risk of electric shock, do not perform any servicing other than that contained in the operating instructions unless you are qualified to do so.

1. Read these instructions.
2. Keep these instructions.
3. Heed all warnings.
4. Follow all instructions.
5. Do not use this apparatus near water.
6. Clean only with dry cloth.
7. Install in accordance with the manufacturers instructions.
8. Do not install near any heat sources such as radiators, heat registers, stoves, or other apparatus (including amplifiers) that produce heat.
9. Do not defeat the safety purpose of the polarized or grounding-type plug. A polarized plug has two blades with one wider than the other. A grounding type plug has two blades and a third grounding prong. The wide blade or the third prong is provided for your safety. If the provided plug does not fit into your outlet, consult an electrician for replacement of the obsolete outlet.
10. Protect the power cord from being walked on or pinched,

particularly at plugs, convenience receptacles, and the point where they exit from the AudioSense module.

11. Only use accessories specified by Steamist.
12. Unplug this apparatus during lightning storms or when unused for long periods of time.
13. Refer all servicing to qualified service personnel. Servicing is required when the apparatus has been damaged in any way, such as power-supply cord or plug is damaged, liquid has been spilled or objects have fallen into the apparatus, the apparatus has been exposed to rain or moisture, does not operate normally, or has been dropped.
14. Apparatus shall not be exposed to dripping or splashing and no objects filled with liquids, such as vases, shall be placed on the apparatus.
15. Warning - To reduce the risk of fire or electric shock, do not expose this apparatus to rain or moisture.
16. The disconnect device (power supply cord plug) shall remain operable once the product is installed.

Control Module Installation

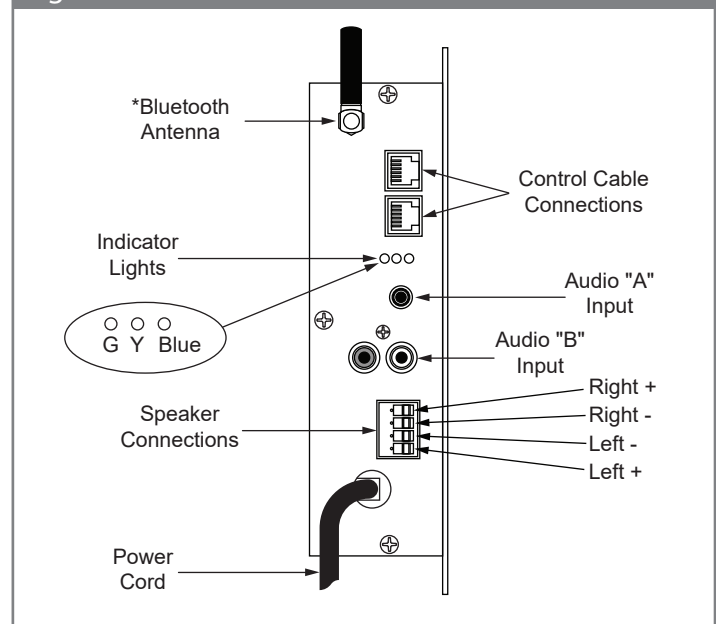
1. Select a location for mounting the TSMU module in a utility area or closet. The AudioSense has audio input jacks on the side of the module that should be conveniently accessible to plug in additional audio inputs. Do not install any part of this assembly in a wall.
2. Secure to the wall with screws.
3. Make sure a 120 volt outlet is located next to the module mounting location. Plug the power cord after all connections are complete.
4. Route the control cable from the module location to the TSG or SMP steam generator, or optional TSCH, TSSH and/or TSA. The manners in which the cables are routed are dependent on what is best suited for the installation. There are multiple connection jacks in TSG/SMP generator(s), two in the TSA, two in the TSSH, two in the TSCH, and two on this module allowing for gangable connections in the most convenient arrangement (See figure 3 for the system wiring diagram).
5. The AudioSense option requires speakers which are purchased separately. Refer to the wiring diagram on Figure 3 for connecting the speakers to the control module.

Specifications:

- Wattage: 70 Watts Max
- Audio Inputs: Bluetooth. Music A (3.5mm Jack), Music B (RCA Jacks)
- Speakers: 4-8 Ohms
- Voltage: 120V - 240V 50/60 hz

(For operating instructions see the TSC-450 or the TSC-550 operating instructions)

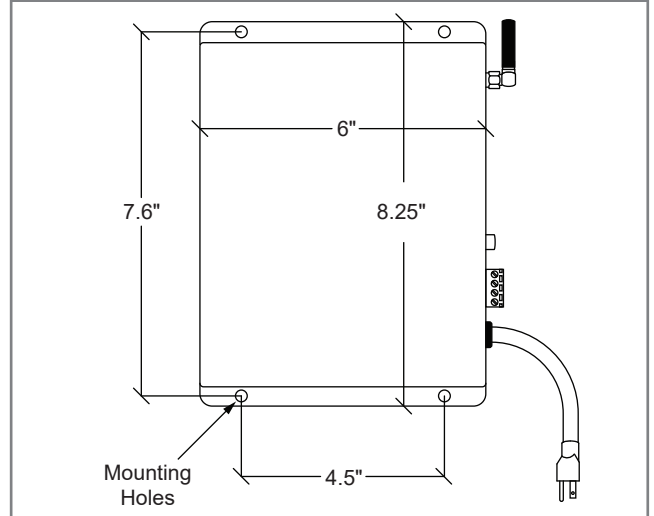
Figure 1 - Side View



Indicator Lights / Troubleshooting

1. **Green Light: Power Light.** This along with the blue and yellow light will flash momentarily when the power is first plugged in. This flash indicates the microprocessor is functioning and is a test for the lights.
2. **Yellow Light: Communication Light.** This light is an indicator that the AudioSense system is not communicating with the control. After the initial power up the light will continue to flash until communication is established with the TSC control. To establish communication, power to the TSC must be turned on or if power is already on go to the TSC control and start a steam or shower cycle for a few seconds then stop or cancel the cycle. This will make the TSC look for the audio system and establish communication. When the AudioSense module is communicating with the TSC this light will be off.
3. **Blue Light: Bluetooth light.** This light will be on steady when the Bluetooth signal is broadcasting and not paired with a device. When it is paired it will flash and when it is off it means that Bluetooth is turned off in the TSC settings.

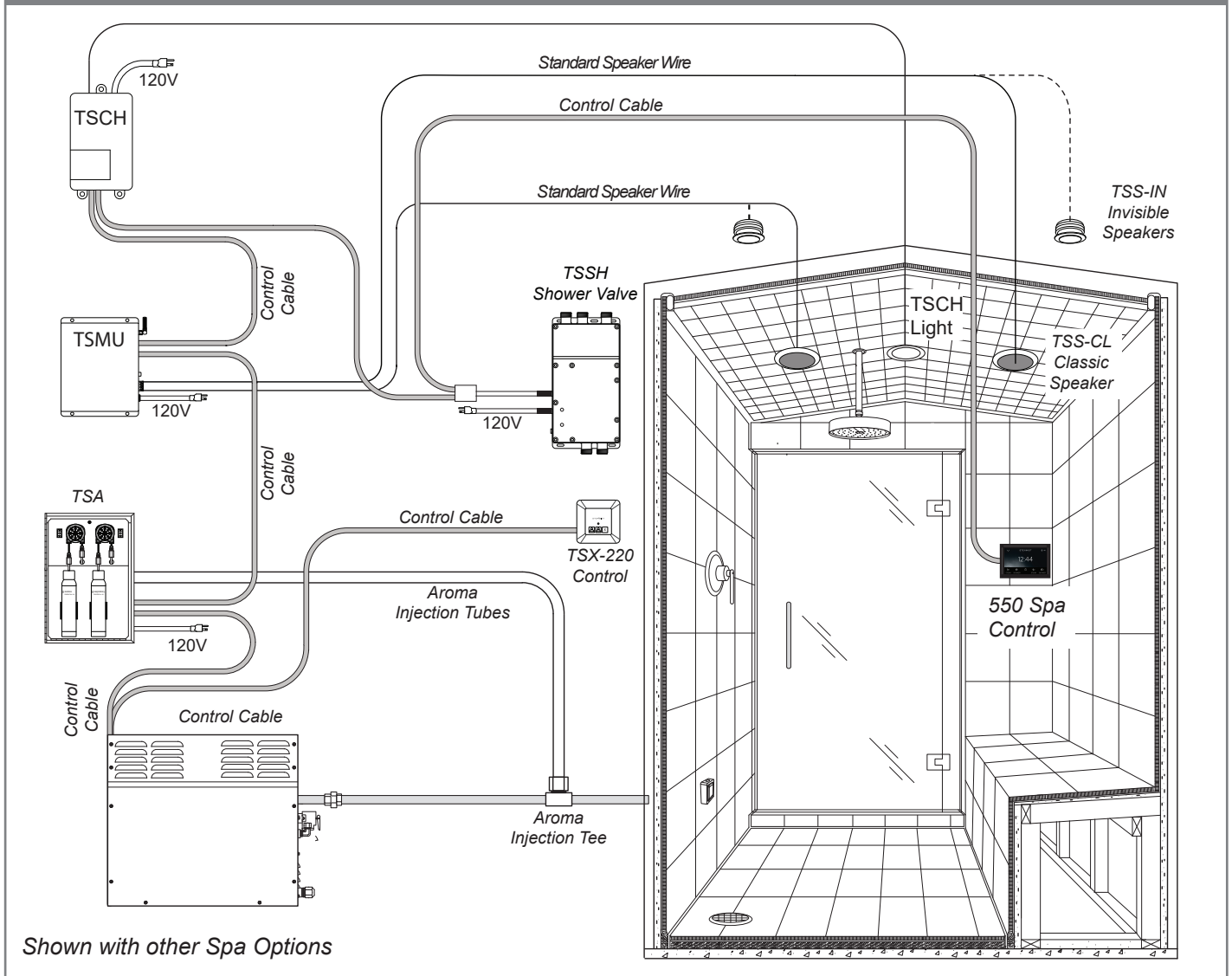
Figure 2 - Top View



Note: *Bluetooth logos are trademarks of Bluetooth Sig Inc., registered in the U.S. and other countries.

Figure 3

Model: TSMU



Shown with other Spa Options