



STEAMIST®

Auto Drain Ready Steambath Generators

Models: SM-5, SM-7, SM-9, and SM-10



Important: Locate Publication No. 199 "Steam Bath Important Safety Instructions". This publication includes a Warning label that the contractor must install on the wall near the entrance to the steam room in a highly visible location. This label and its additional safety information are packaged with the generator in the envelope containing the installation instructions. If it is lost or missing contact Steamist (201-933-0700) for a replacement Publication No. 199. This publication along with all documents must be left with the owner.

The Steamist "SM" Generator comes factory assembled, carefully wired and tested.

WARNING: All electrical power should be turned OFF when working with Steam Generator.

IMPORTANT: The Plumbing Installation must conform to local and national codes.

1. Pre-Installation

- a) Be sure that the proper size Steam Generator has been selected by using the sizing page in the "Full Line Brochure," "Pricing Guide," "The Generator Sizing Guide," "Architectural Guidelines," or in the Residential Systems/Steambath Product Information section of the Steamist website - www.steamist.com.

CAUTION: An improperly sized Steam Generator may NOT produce the amount of steam necessary to reach selected temperature.

- b) For optimum performance, the Steam Generator should be located as close as possible to the Steamroom, Shower or tub enclosure using a 3/4" copper pipe (1/2" copper pipe is also acceptable, but not preferred). If the steam pipe exceeds ten feet, it should be insulated using appropriate pipe insulation rated for a minimum of 212° F. Maximum steam pipe distance should not exceed a total of fifty linear feet. Refer to Installation Suggestions on page 4.

CAUTION: Do NOT install near flammable material such as paints, thinners, gasoline, etc.

CAUTION: Steam generators must NOT be installed outdoors, in moist, humid areas, in areas prone to freezing, or extreme heat such as an unventilated attic. To do so will void the warranty.

- c) The steam line and safety valve reach a temperature of 212°F during operation and should be appropriately protected to prevent personal injury by accidental contact.

2. Plumbing Rough-in

Plumbing rough-in is required for the water supply and steam line; this should be completed before the walls are closed. For operation, the "SM" Steam Generator requires a 3/8" O.D. copper tubing to the fitting on the generator for water inlet and a 3/4" copper or brass pipe for steam outlet.

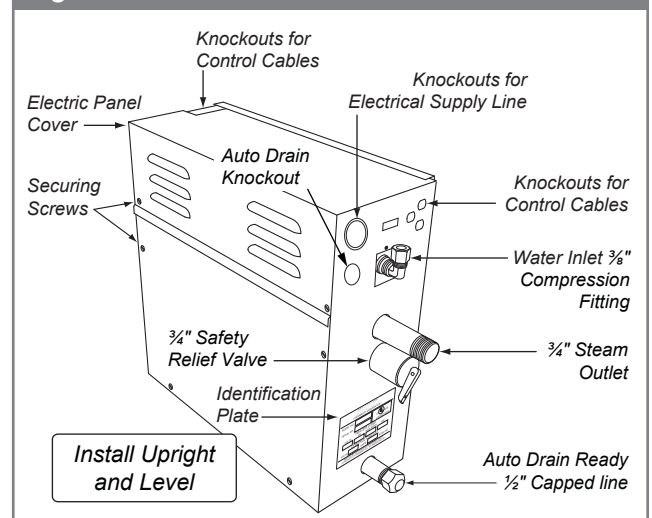
NOTE: Safety Valve should be connected using a union to a minimum 3/4" indirect waste or as required by local plumbing

codes. In the unlikely event this valve should open, the discharge must be directed to prevent damage to the home. Do NOT connect the Safety Valve output to the steam line.

- a) **Water Inlet** - Rough in a water line, 120 PSI max, to the hot or cold supply. A shut off valve with a 3/8" connection to the steam generator is to be provided at the generator location (see Figure 4 on page 3).
- b) **Steam Outlet** - Rough in the steam line using a 3/4" Brass pipe or Copper tube with sweated fittings only. Do NOT use plastic pipe or fittings. Do not use any push-fit, snap-fit or anything else that is not specifically rated for 212°F steam. Do NOT use Black Iron or Galvanized pipe to avoid rust and discoloration to steam room. The steam head location should be 12" to 18" above the steam room floor or 6" above a rim of a bathtub and as far from the seating area as possible.

CAUTION: No shutoff valve can be installed in the steam line. Do NOT create traps or valleys in this line which would trap condensation and block the flow of steam. The steam pipe should be pitched toward the Steam Generator allowing condensation to run back toward the Steam Generator (preferred), or toward the steamhead. If the steam generator is equipped with a drain valve, do NOT connect the drain pipe to the steam line.

Figure 1 - Steam Generator



IMPORTANT: The warranty of this product is voided if it is used in a commercial application or for anything other than a residential steambath installation. This product is not intended for use with Home Automation systems.

Installation Instructions

Models: SM5, SM-7, SM-9, and SM-10

3. Steam Generator Installation

The Steam Generator should be mounted in a location convenient for hook-up and service by the plumber and electrician.

CAUTION: The Steam Generator is designed to be used ONLY in an upright and level position; to do otherwise would damage the unit and void the warranty.

- a) The Steam Generator can be mounted to a wall or set on the floor. However, the unit must be secured. To secure the unit to a vertical wall, loosen the two screws holding the electrical access cover, remove cover (see Figure 1). Located inside the cabinet near the top left and right corners are mounting holes. Place top cover back and secure.

- b) Connect the 3/8" water inlet to a shut off valve as described in Section 2.a. The valve must be kept in an open position during normal operation. In an area where water hammer is a problem install a water hammer arrestor in the line. Refer to Figure 2.

IMPORTANT: Do NOT use a "saddle valve" or piercing type valve for water connection.

- c) Connect the steam line from rough-in location described in Section 2 to the 3/4" nipple on the Steam Generator using a union.

Figure 2 - Plumbing Diagram

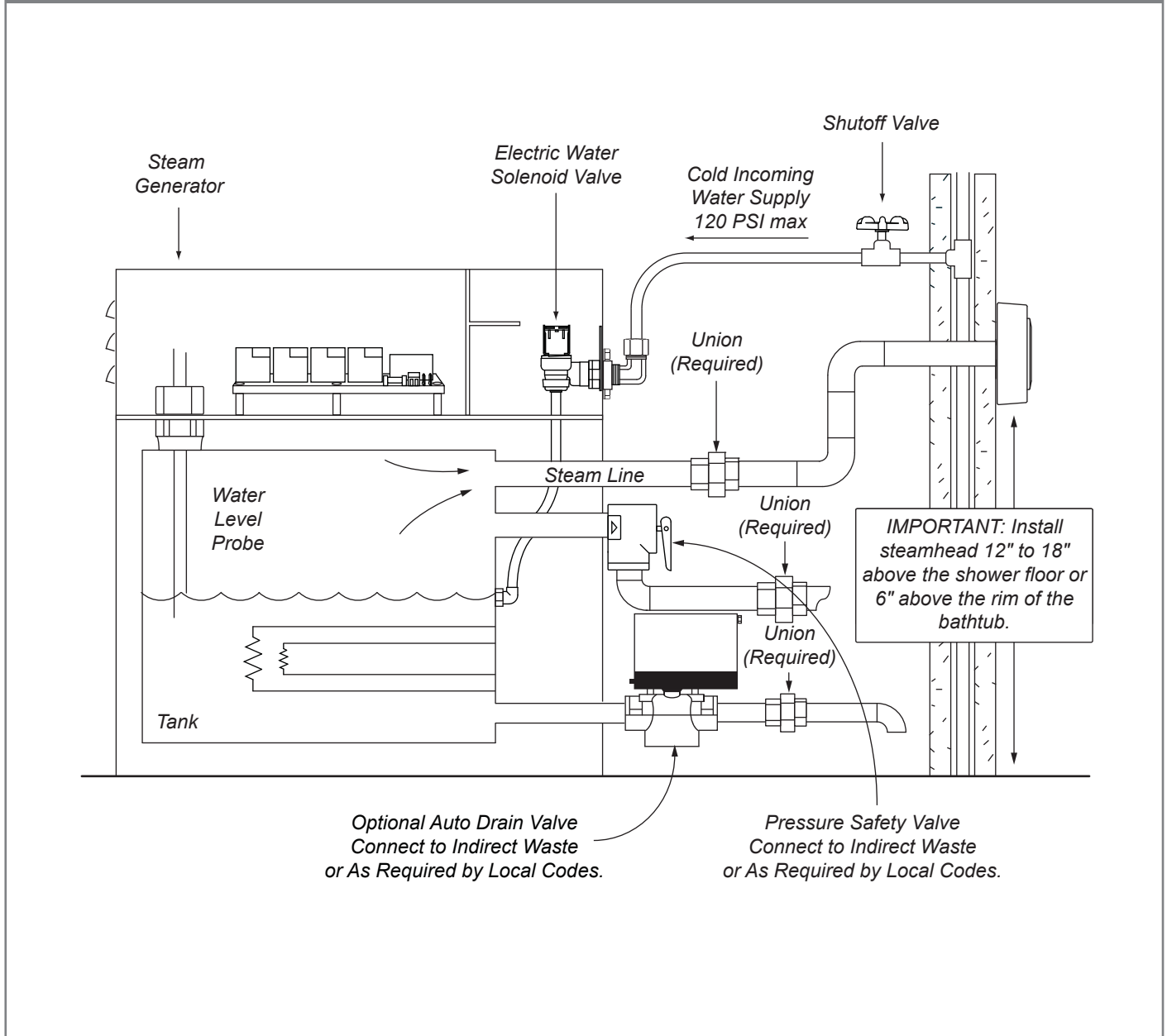
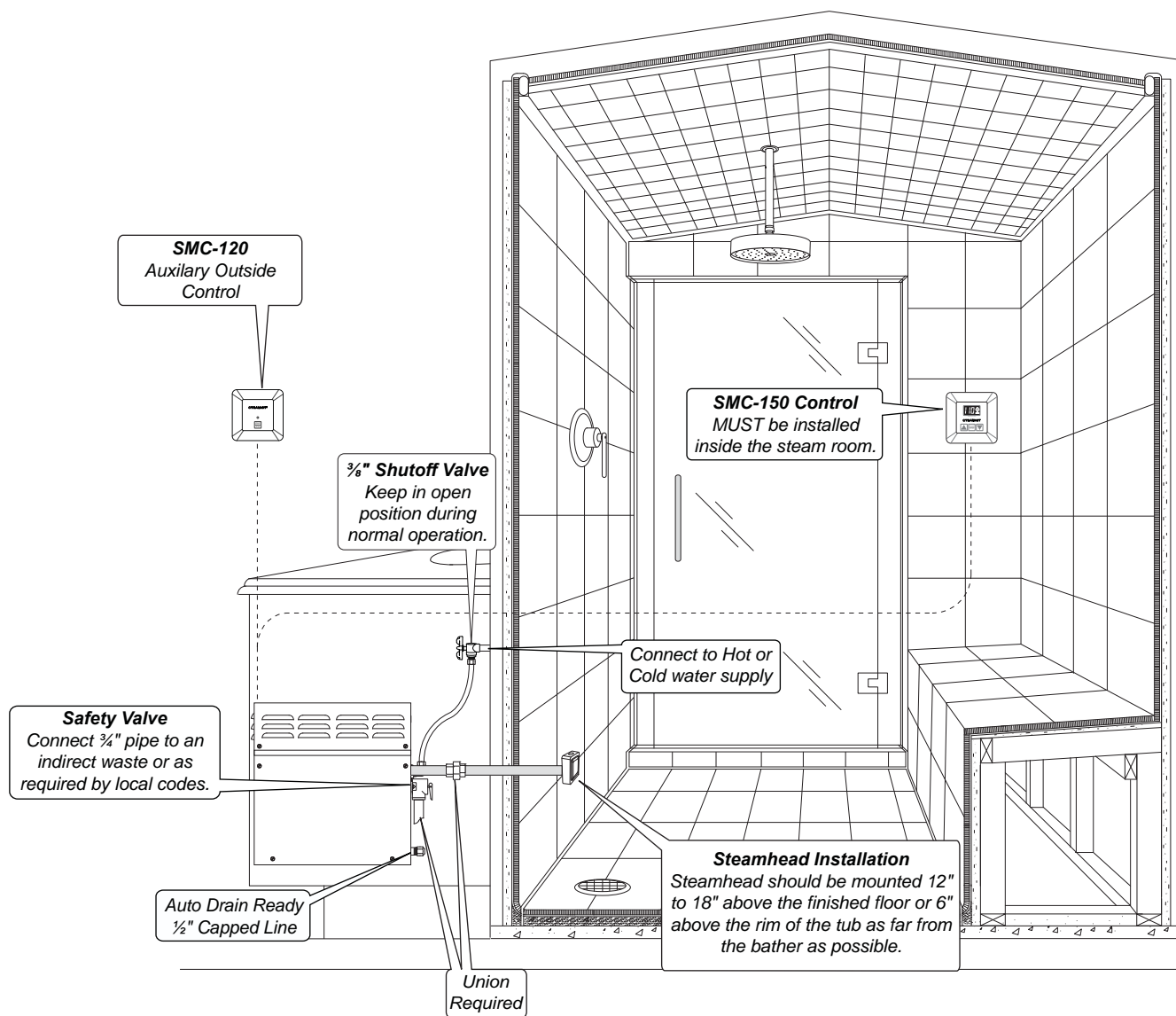


Figure 4 - Typical Installation

Models: SM-5, SM-7, SM-9, and SM-10

The Plumbing Instructions must be given to the homeowner for future use.



Steam Outlet Pipe - Use a 3/4" Copper or Brass pipe.

NOTE: The SM Series steam generators will also work with the following controls: TC-110, TC-135, DSC-425, and DSP.

CAUTION: Do NOT install a shutoff valve on the steam outlet pipe. Do NOT create traps or valleys in this line which would prevent the flow of steam. The steam outlet pipe should be pitched toward the Steam Generator (preferred), allowing condensation to run back into the Steam Generator or toward the steamhead. If the steam pipe exceeds ten feet, use an appropriate pipe insulation rated for a minimum of 212°F.

IMPORTANT: Union MUST be used on Steam Line, Safety Relief Valve, and Drain line.

Access Requirements

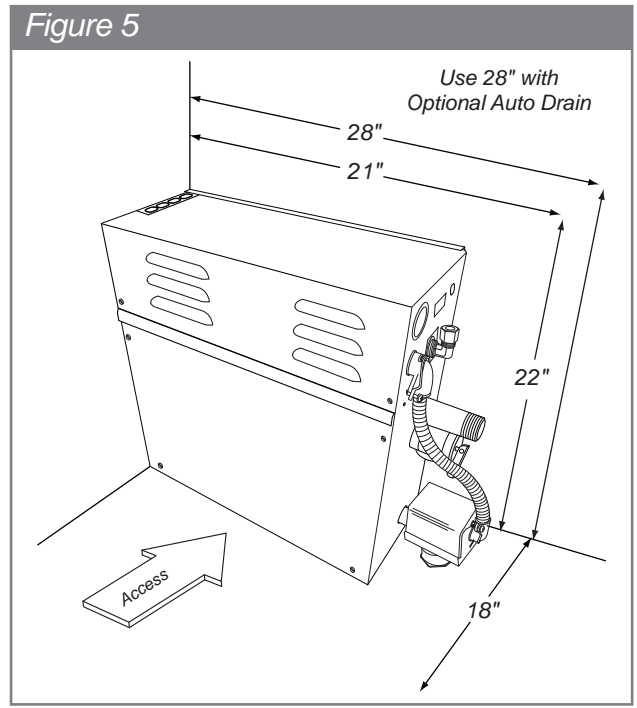
Models: SM-5, SM-7, SM-9, and SM-10

Select a location for mounting the Steam Generator that is accessible for installation and service. The access requirement indicates the minimum space for convenient access to Steam Generator.

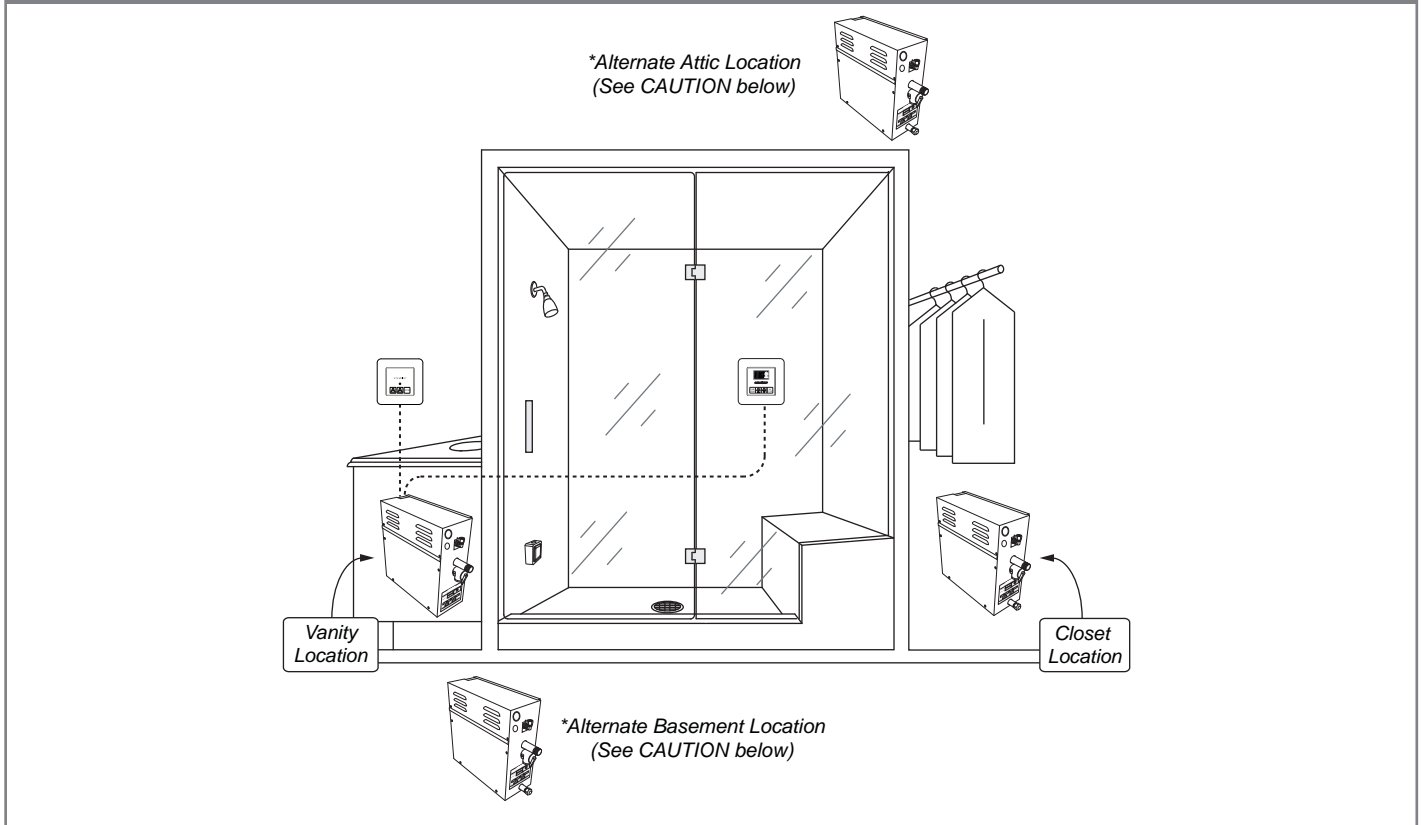
CAUTION: Do NOT install near flammable material such as paints, thinners, gasoline, etc.

NOTE: This steam generator is NOT intended to be used for space heating purposes.

IMPORTANT: Steam Generator must be installed upright and level. The serial number info should be visible and the Steam Generator should be accessible for service.



Installation Suggestions



***CAUTION:** Steam generators must NOT be installed outdoors, in moist, humid areas, in areas prone to freezing, or extreme heat such as an unventilated attic. To do so will void the warranty.