

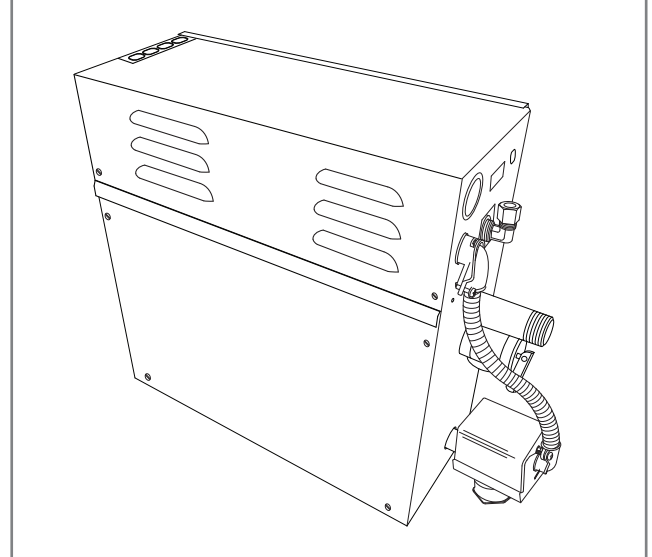
STEAMIST®

Steam Generator

Models: DTSG-7 and DTSG-10

Features

Light Commercial, intended for Day Spa use, up to 6 hours a day
 Limited 1 year parts, 90 day labor warranty where available
 AutoDrain included
 Selectable "Instamist"
 Proportional Steam
 Steady Steam
 Microprocessor based diagnostics and LED indication
 Stainless steel tank construction
 Intelligent control communication
 UL/CUL Listed



Steam Generator Specification Chart

Product Number	KW Rating	*Max. Cu. Ft. Range	Volts/Phase/Max. Amps	Line Fuse	Dimensions L x W x H
DTSG-7 DTSG-7-208 DTSG-7-208/3	7.5	250	240/1/31 208/1/36 208/3/21	40 50 30	20.5" x 6" x 15.5"
DTSG-10 DTSG-10-208 DTSG-10-208/3	10	450	240/1/42 208/1/48 208/3/28	50 60 40	20.5" x 6" x 15.5"

* Refer to sizing guidelines to accurately determine the proper size generator for the installation.

90°C copper wire is required for generator connection. Installation shall be in accordance with NEC and local electrical codes.

Required Equipment

TSC Model Control

Required Electrical Service

Dedicated circuit required: See Specification Chart for proper electrical requirements

Product Information

Water Supply - 3/8" Compression Fitting, 120 PSI Max
 Steam Outlet - 3/4" Brass NPT male thread
 Pressure Relief Valve - 3/4" NPT female thread
 AutoDrain Outlet - 1/2" Brass NPT female thread
 Supplied with a 35' control cable

Generator with AutoDrain

Weight - 32 lbs.

Installation Notes

Supplied Warning Plate MUST be permanently installed in a highly visible location near entrance of the steam room.

For optimum performance, the steam generator should be mounted as close as possible to the steam room. If needed, the steam pipe may be up to 50' long.

Steam Generators should be accessible for service.

Do NOT install near flammable material such as paints, thinners, gasoline, etc.

Steam generators must NOT be installed outdoors, in moist, humid areas, in areas prone to freezing, or extreme heat such as an unventilated attic. To do so will void the warranty.

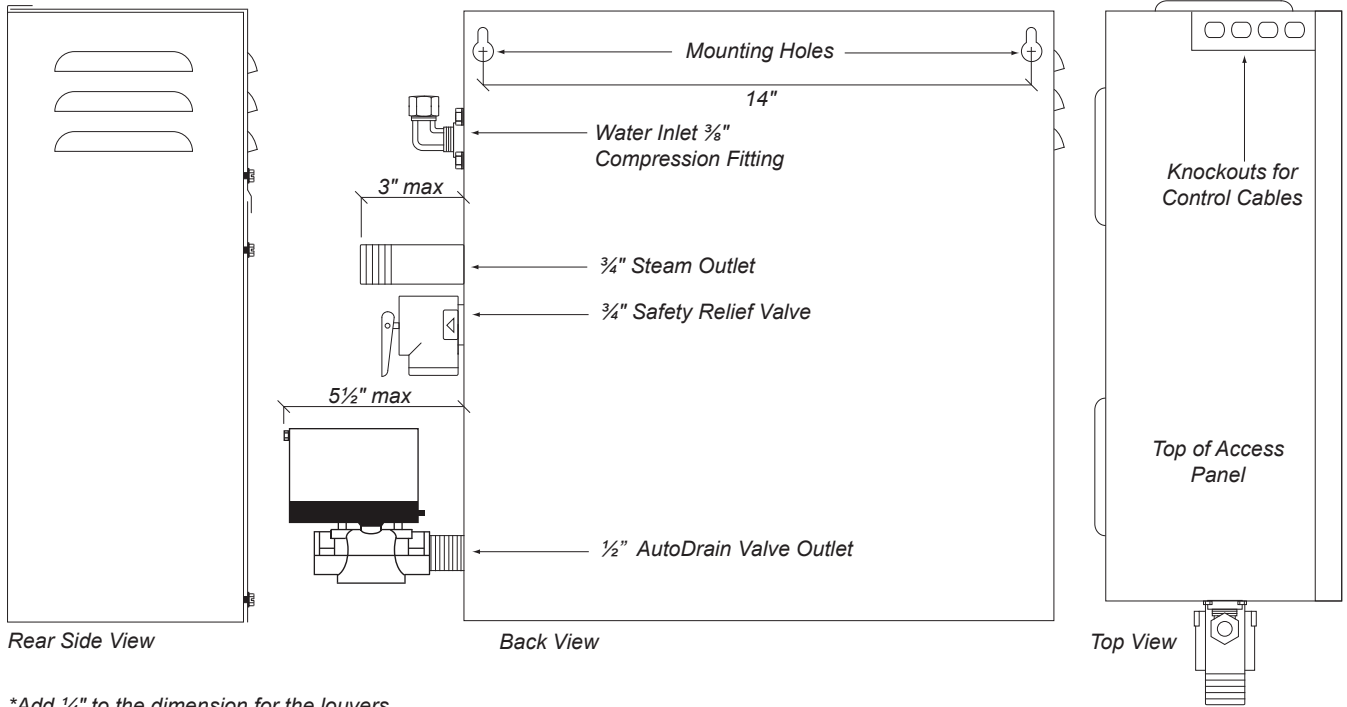
Steamhead to be mounted 12" to 18" above floor or 6" above rim of tub and as far from the seating area as possible.

Service Access

Minimum: 28" L x 20" W x 22" H

Dimensional Drawing

Models: DTSG-7 and DTSG-10



*Add 1/4" to the dimension for the louvers

