

STEAMIST®

Steambath Control

Model: TSX-220, TSX-220T and TSX-220R Auxiliary Outside Control

Product Information – TSX-220

2 year parts warranty.

Auxiliary outside control with an LED Indicator.

Designed to be used in conjunction with a "TSC" model control.

Dimensions: TSX-220 = 3¾" x 3¾", TSX- 220T = 4 1/2" x 4 1/2", TSX-220R = 4" Round.

Package Includes: Control, 35-Ft. multi-conductor cable, 6-pin coupler, Strain Relief Clamp, Installation and Operating Instructions.

Required Electrical Service: Low-voltage connection from TSG or SMP steam generator, via multi-conductor cable (supplied).

Product No. - Finishes:

PC - Polished Chrome

PB - Polished Brass

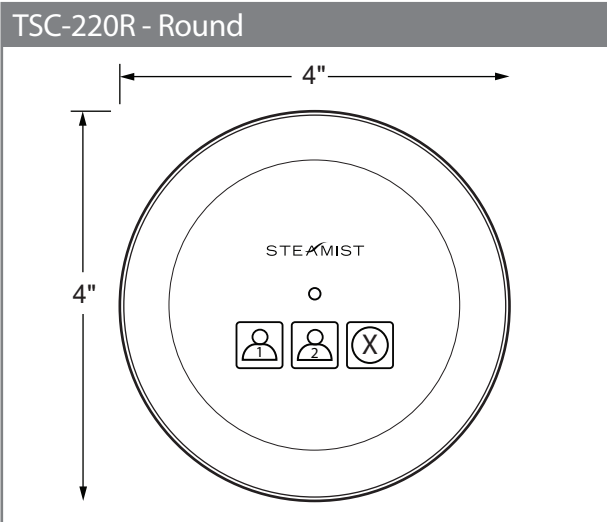
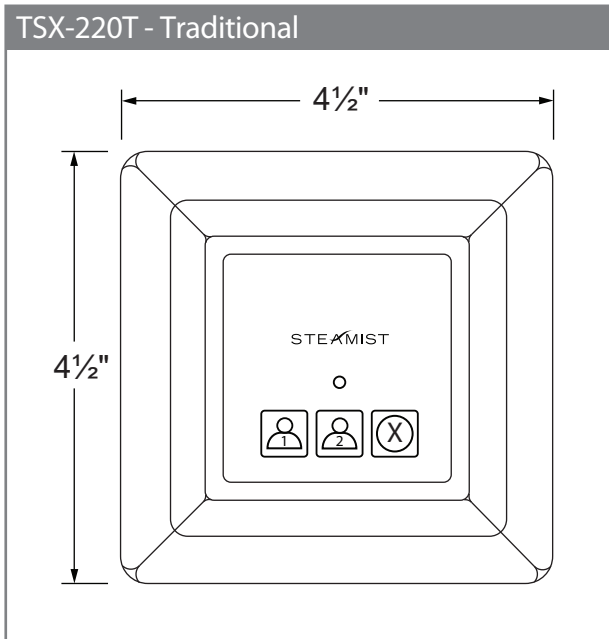
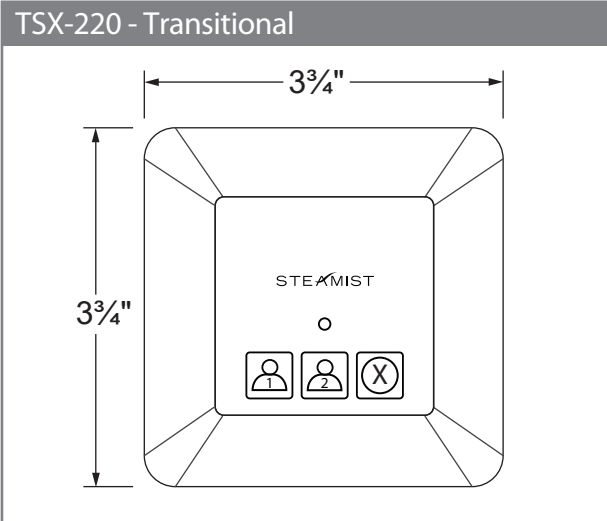
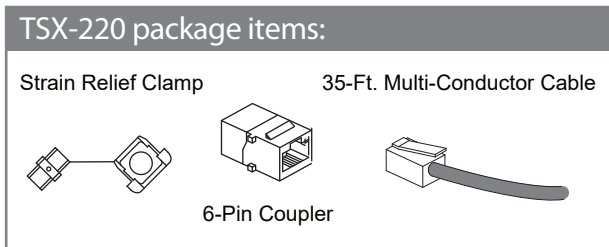
PN - Polished Nickel

ORB - Oil-Rubbed Bronze

BN - Brushed Nickel

BB - Brushed Bronze

PG - Polished Gold



Notes

Installation Notes

Surface Mount - 1½" hole required.

Mounts on outside of the steam room and MUST be used with a TSC model control.

Steamist recommends that the multi-conductor cable be run through ¾" conduit to protect cable from damage and to facilitate easy replacement.

Rough-in Notes

Control should be mounted 48" above the floor.