

Steambath Generators

Models: LT-50, LT-75, & LT-100

The Steamist "LT" generator operates with one control located outside the steamroom. It's small enough in size to be tucked away using very little space in a vanity, closet, basement, or an insulated attic, but large enough to provide steam for most residential baths.

The Steamist "LT" Steambath Generator comes factory-assembled, carefully wired and tested.

1. Pre-Installation

- Proper electrical supply (208 or 240 Volt): See rating label on Steam Generator and Chart on back page. Determine proper size of wire, voltage, amperage, and phase for the Steam Generator. Only UL rated 90°C wire can be used.
- In-line fuse/circuit breaker required: Fuse/circuit breaker to be installed must be sized in accordance with chart on back page. Do NOT install a GFI (Ground Fault Interrupter) to this equipment (per article 210-8 in the National Electric Code).
- Route power supply cable to the location where the Steam Generator will be installed (before walls are closed).

2. Electrical Rough-in

- At this time read through the installation instructions for the TM-30 Control.
- Route appropriate power cable to the location where the steam generator will be installed. If a receptacle is desired, mount the box for receptacle near location of steam generator (see Figure 2).

NOTE: The plug and receptacle require a rating of no less than 250V and proper amperage. Refer to chart on back cover for amperage rating.

After the walls are complete, the Steam Generator and Control can be wired.

3. Steam Generator Electrical Installation

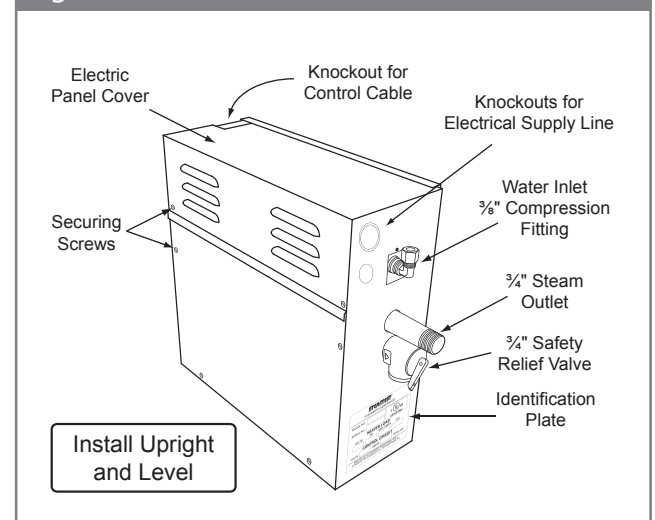
WARNING: All power to the Steam Generator must be turned off.

- Remove the two screws holding the electrical access cover and remove cover.
- Locate the supply line knockout. Mount proper strain relief into knockout hole. (See illustration: Figure 2. Internal Electrical Connections).
- Strip back power cable's outer insulation jacket eight inches and insert into steam generator. Strip back insulation $\frac{1}{2}$ " from the three (3) incoming wires (two power and one ground).
- Connect incoming ground wire to floating green pigtail labeled "GND."

CAUTION: Be sure the ground wire does not come in contact with a live electrical part.

- Connect incoming power to floating black pigtail leads labeled "L1" and "L2." (See illustration: Figure 2. Internal Electrical Connections).
- The Steam Generator is ready for operation once the installation of the control is completed. (Refer to separate Installation and Operating Instructions).

Figure 1 - Steam Generator



WARNING: Elderly persons, pregnant women, or those suffering from heart disease, high blood pressure, diabetes, or who are otherwise not in good health, do not use this device unless directed to do so by a physician. Also, do not use steambath while under the influence of alcohol. For additional Important Safety Information, please see a separate instruction Pub. No. 199.

IMPORTANT: The warranty of this product is voided if it is used in a commercial application or for anything other than a residential steambath installation. All electrical connections must be performed by a licensed electrician in accordance with Local and National Electric Codes. This product is not intended for use with Home Automation systems.

Checklist

Models: LT-50, LT-75, & LT-100

Before starting, insure that the conditions of the following checklist have been met:

- The proper size Steam Generator has been selected by using the sizing page in the "Full Line Brochure," "Pricing Guide," or "The Generator Sizing Guide" in the Residential Systems/Steam Bath Product Information section of the Steamist web site - www.steamist.com.
- CAUTION:** An improperly sized Steam Generator will NOT produce the amount of steam necessary to reach selected temperature.
- The proper voltage Steam Generator has been selected (i.e., 208V or 240V). A 208V Generator operating on 240V will damage the heating element, and a 240V Generator operating on 208V will result in a 25% loss of power.
- The Steam Generator is installed in an upright position.
- The proper sized 90°C wire and circuit breaker have been used.
- The circuit breaker is NOT a GFI (Ground Fault Interrupter) type.
- The Steam Generator is properly grounded.
- The circuit breaker or disconnect switch is on.
- Water supply is open to the Steam Generator.

Figure 2 - Internal Electrical Connections

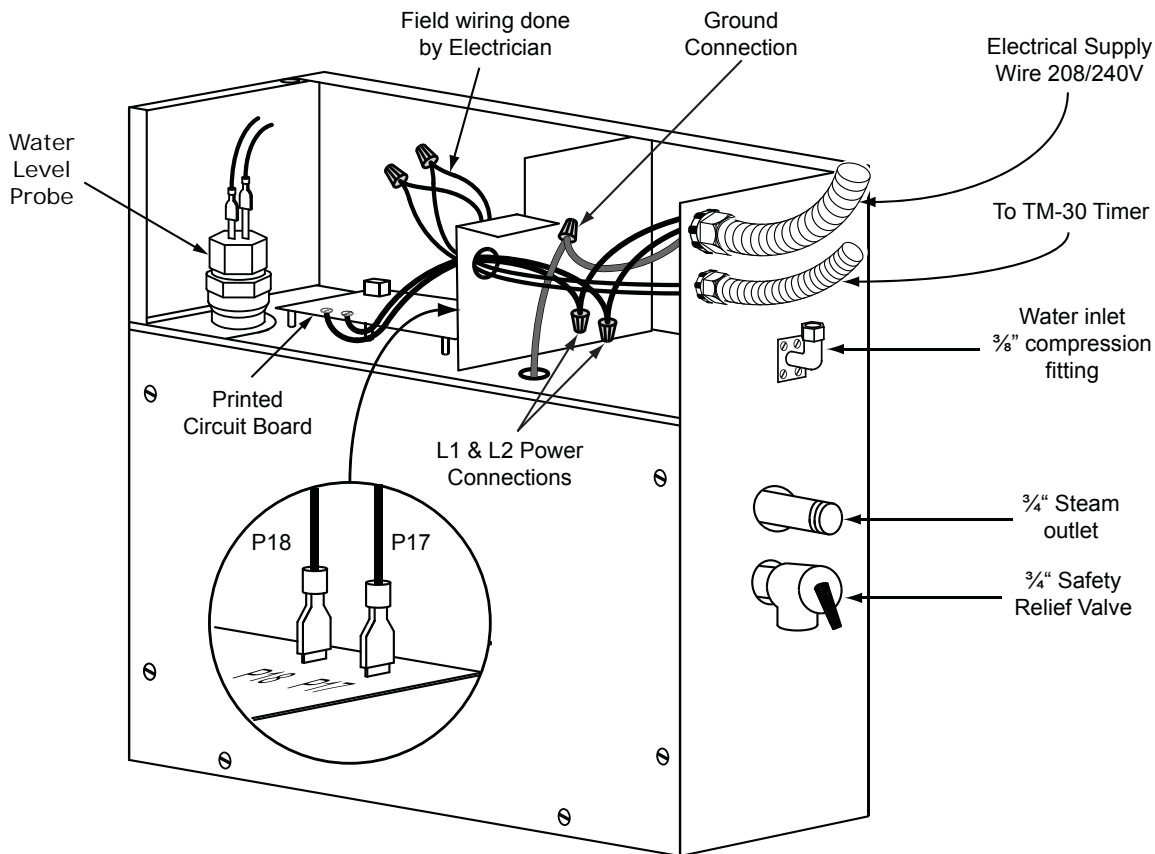
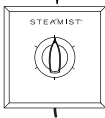


Figure 3 - Typical Installation Models: LT-50, LT-75, & LT-100

The Electrical Instructions must be given to the homeowner for future use.

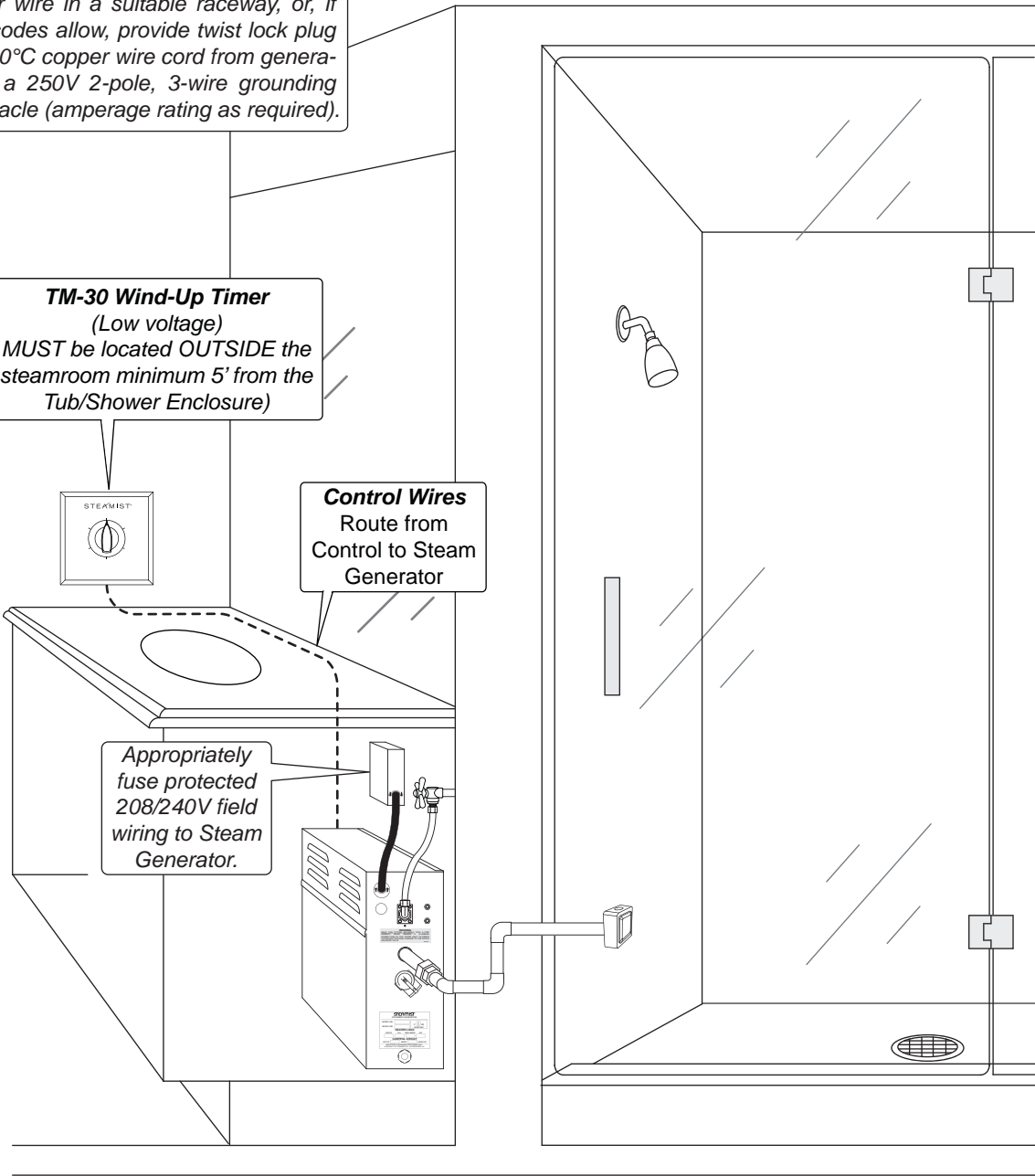
NOTE: Unit must be wired with 90°C copper wire in a suitable raceway, or, if local codes allow, provide twist lock plug on a 90°C copper wire cord from generator to a 250V 2-pole, 3-wire grounding receptacle (ampere rating as required).

TM-30 Wind-Up Timer
(Low voltage)
MUST be located OUTSIDE the steamroom minimum 5' from the Tub/Shower Enclosure



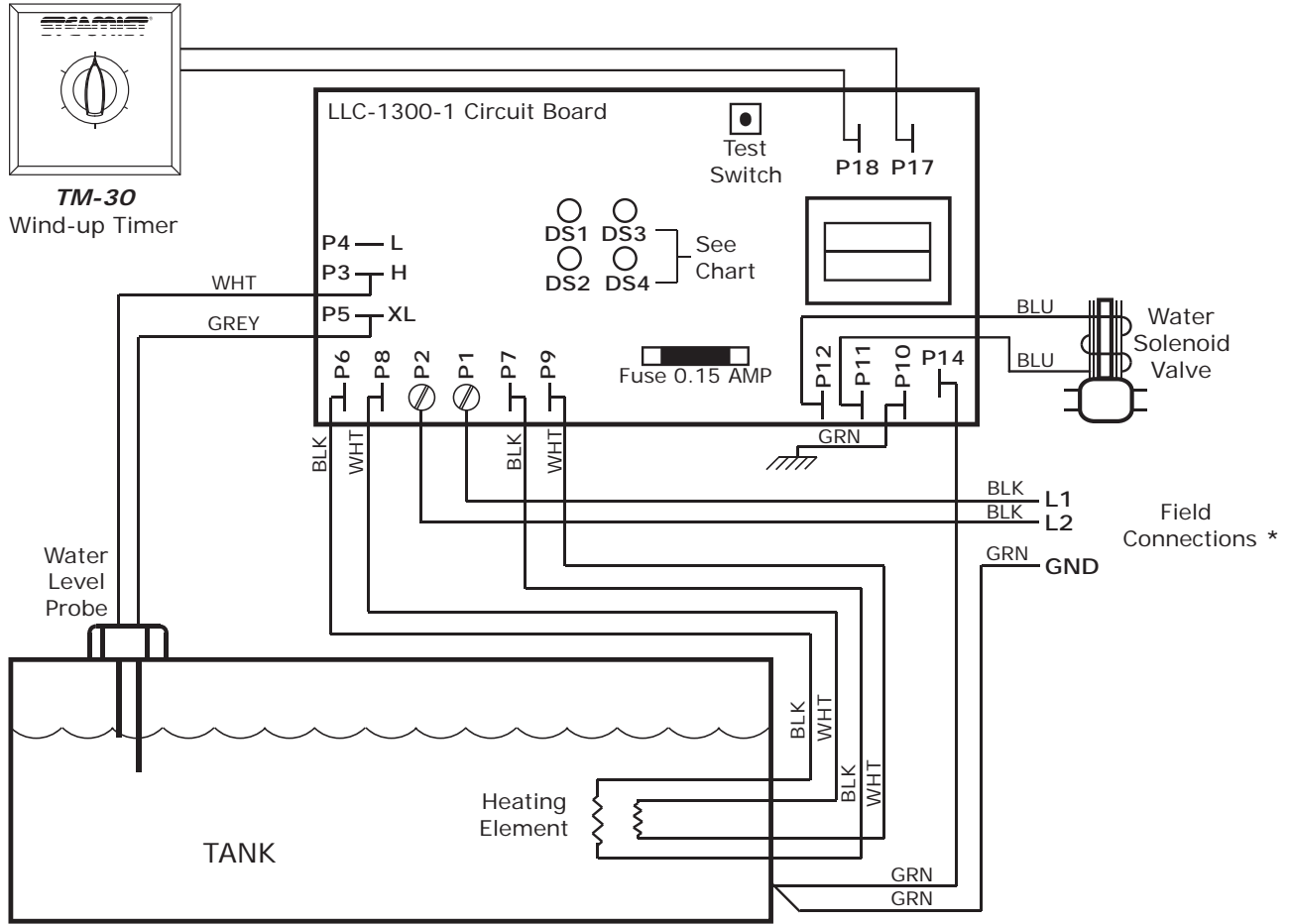
Control Wires
Route from Control to Steam Generator

Appropriately fuse protected 208/240V field wiring to Steam Generator.



Wiring Diagram

Models: LT-50, LT-75, & LT-100



NOTES: * Field Connections, See Specification Chart for Proper Size Wire

Specification Chart

Model No.	Max. Cu. Ft. For Area Up To	KW	Volt	Phase	Amps	Line Fuse
LT-50	100	5	240	1	21	30
			208	1	24	
LT-75	220	7	240	1	29	40
			208	1	34	
LT-100	360	9	240	1	38	50
			208	1	43	

LED Color Chart

DS1	GRN	TIMER ON
DS2	YEL	HEAT ON
DS3	AMB	WATER FILL ON
DS4	RED	POWER ON

90°C copper wire is required for generator connection. Installation shall be in accordance with NEC and local electrical codes.