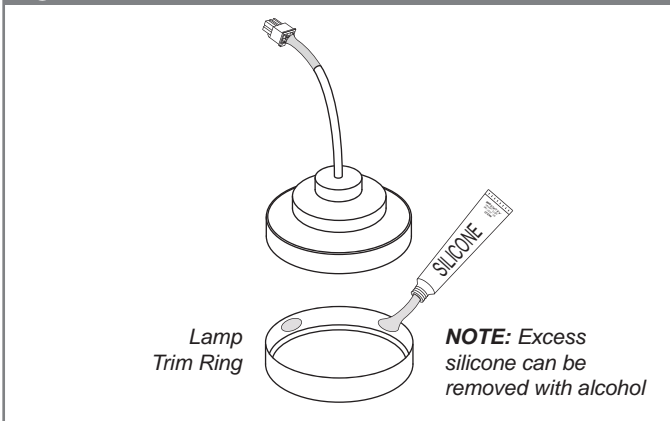


ChromaSense Light Instructions

Model: TSCH-1

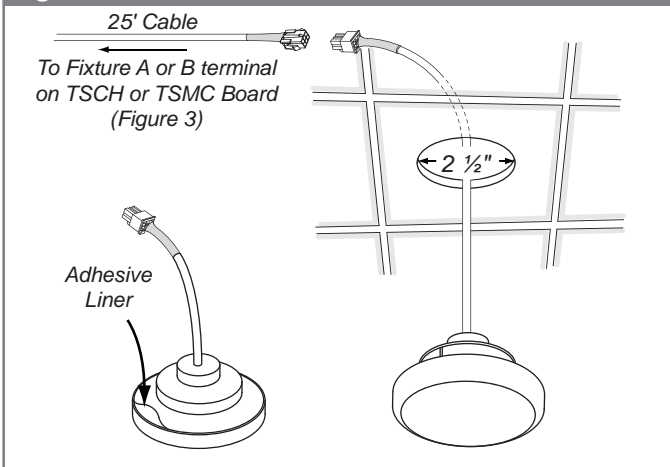
1. Attach the optional Lamp Trim Ring by applying three small dabs of silicone equally spaced around the inside edge and secure into place (see Figure 1). Let silicone set overnight.

Figure 1



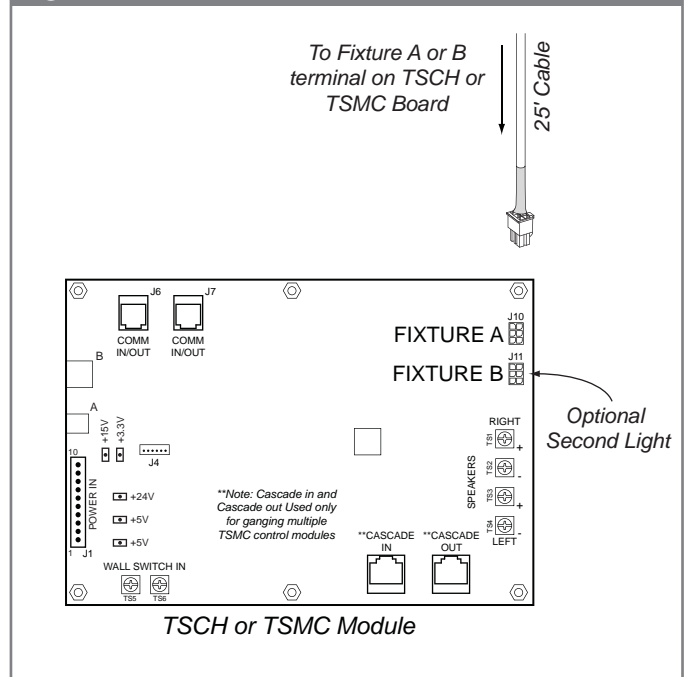
2. Select a location in the ceiling for the ChromaSense light(s). The ChromaSense option comes with one light. The ChromaSense module can power up to two lights. It is recommended that steam baths over six feet in length use 2 lights.
3. The mounting location requires a 2 1/2" hole for each light (see Figure 2).

Figure 2



4. Please observe orientation of the 25' ChromaSense light cable. Make sure the female end of this cable is routed toward the ChromaSense light fixture in the steam room.
5. Route the special light cable(s) (supplied) from the control module (Figure 3) to the light mounting location(s).

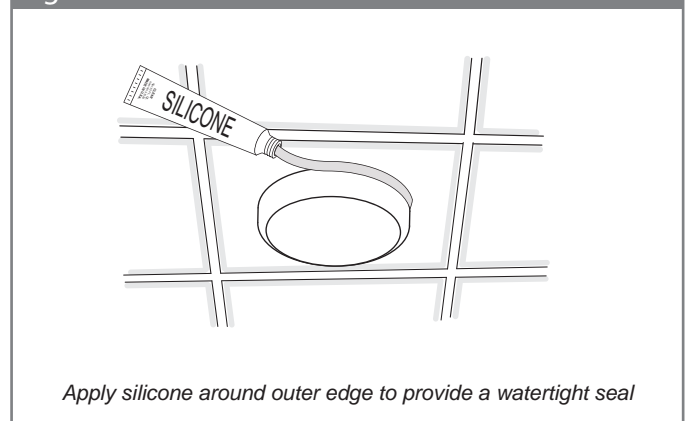
Figure 3



6. Plug the cable(s) into the control module (see Figure 3).
7. Plug the other end into the light(s) (see Figure 2).
8. Remove the self adhesive liner and attach to the ceiling (see Figure 2).
9. Seal the edge of the light with silicone.

NOTE: Not applicable for the AudioSense only installation

Figure 4



Apply silicone around outer edge to provide a watertight seal