

STEAMIST®

Steamhead

Model: 3199 and 3199M

Product Information – 3199 and 3199M

Material: Brass

Product No. - Finishes:

3199-PC - Polished Chrome

3199-PN - Polished Nickel

3199-BN - Brushed Nickel

3199-PB - Polished Brass

3199-PG - Polished Gold

3199-ORB - Oil Rubbed Bronze

3199-BB - Brushed Bronze

3199M-PC - Polished Chrome

3199M-PN - Polished Nickel

3199M-BN - Brushed Nickel

Notes

Installation Notes

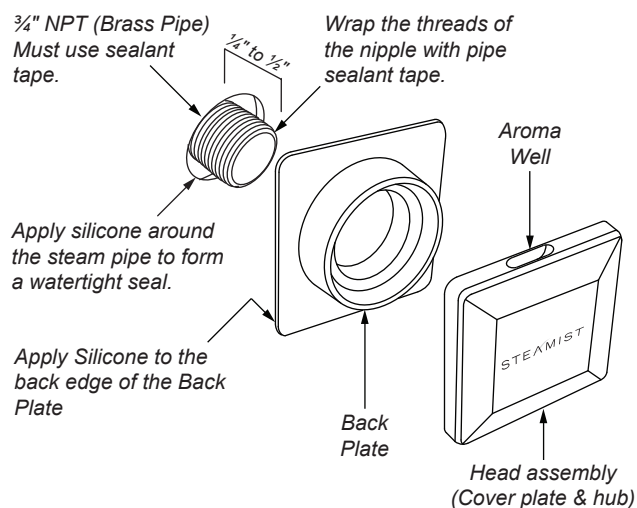
Steamline - 3/4" Copper or Brass NPT male thread.

Rough-in Notes

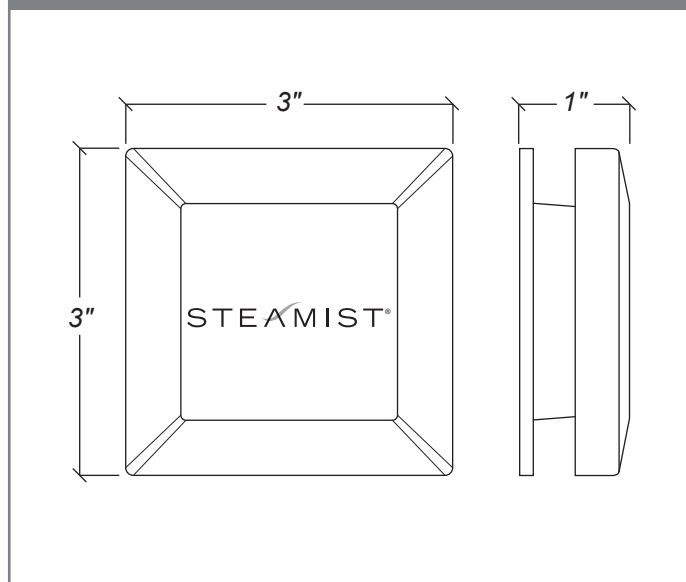
Steamline should protrude 1/4" to 1/2" from finished surface.

Steamhead to be mounted 12" to 18" above the finished floor or 6" above the rim of the tub and as far from the seating area as possible.

3199 Steamhead shown



3199 Steamhead Front and Side Views



3199M Steamhead Front and Side Views

